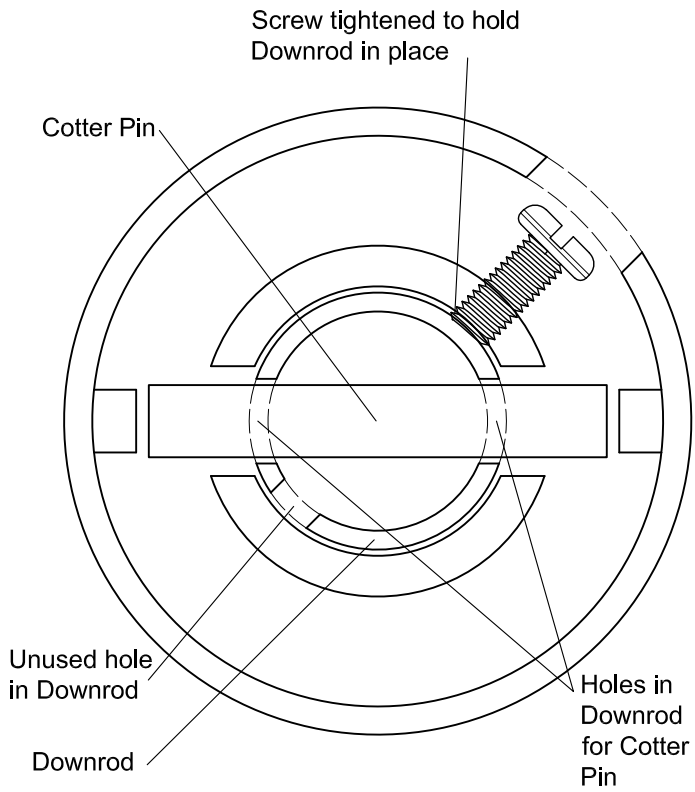


Orientation of Downrod in Windmill Fan

Correct



Incorrect

